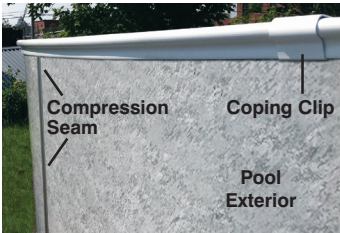




NEW PREMIUM COPING INSTALLATION

Installation of the New Metric Premium Coping is essentially the same as the standard coping. The plastic coping is attached by simply snapping over the pool wall and securing with screws on the exterior side of pool.



You need to leave a 1" gap between lengths of coping. Each coping gap should be offset from a wall joint by at least 2-3 feet. Once

all of the coping has been placed, secure the coping to the pool wall with the white cap screws provided.

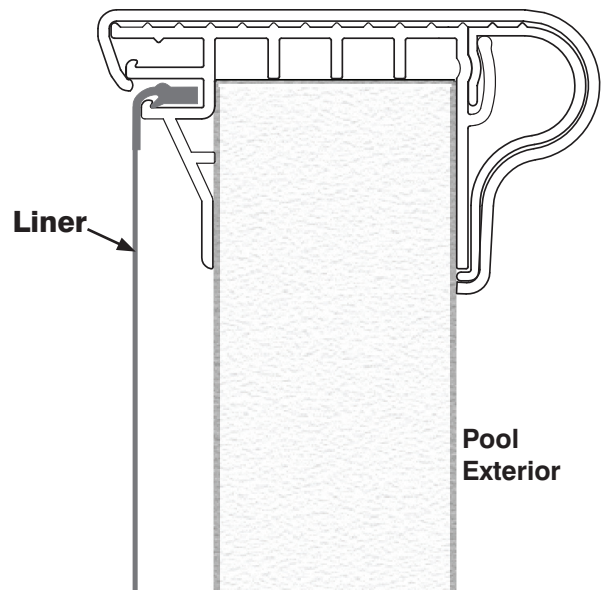
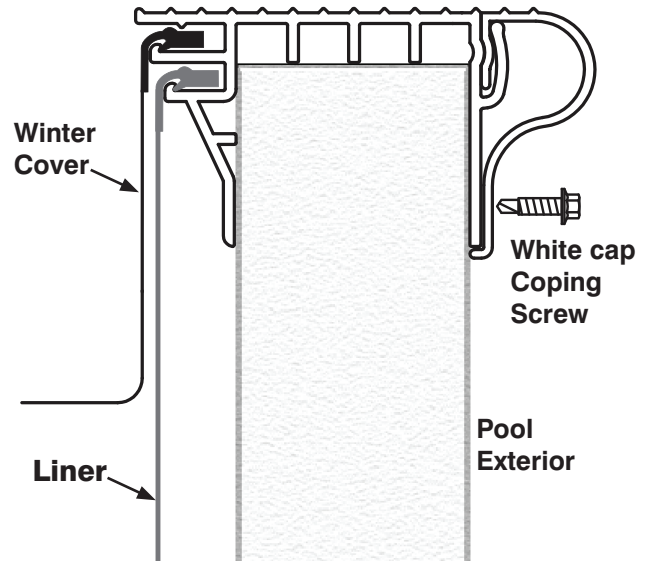
THIS STEP CANNOT BE SKIPPED!

The screws, placed at the appropriate intervals, are essential to the secure installation and long term durability of the coping. The screw spacing intervals are to be 12"-15" apart, beginning with the first screw approximately 2"-3" over from a compression seam. Using a 3/32" drill bit, drill through the plastic coping and **EXTERIOR** pool wall while pressing down firmly on the coping on top of pool wall. Using a Phillips screw driver, hand tighten each screw.

DO NOT OVERTIGHTEN.

The beaded vinyl liner with the weight of the pool water will draw coping into place and level on the interior of the pool wall.

Install coping clips by snapping over gaps between coping lengths. Do not screw in coping clips.



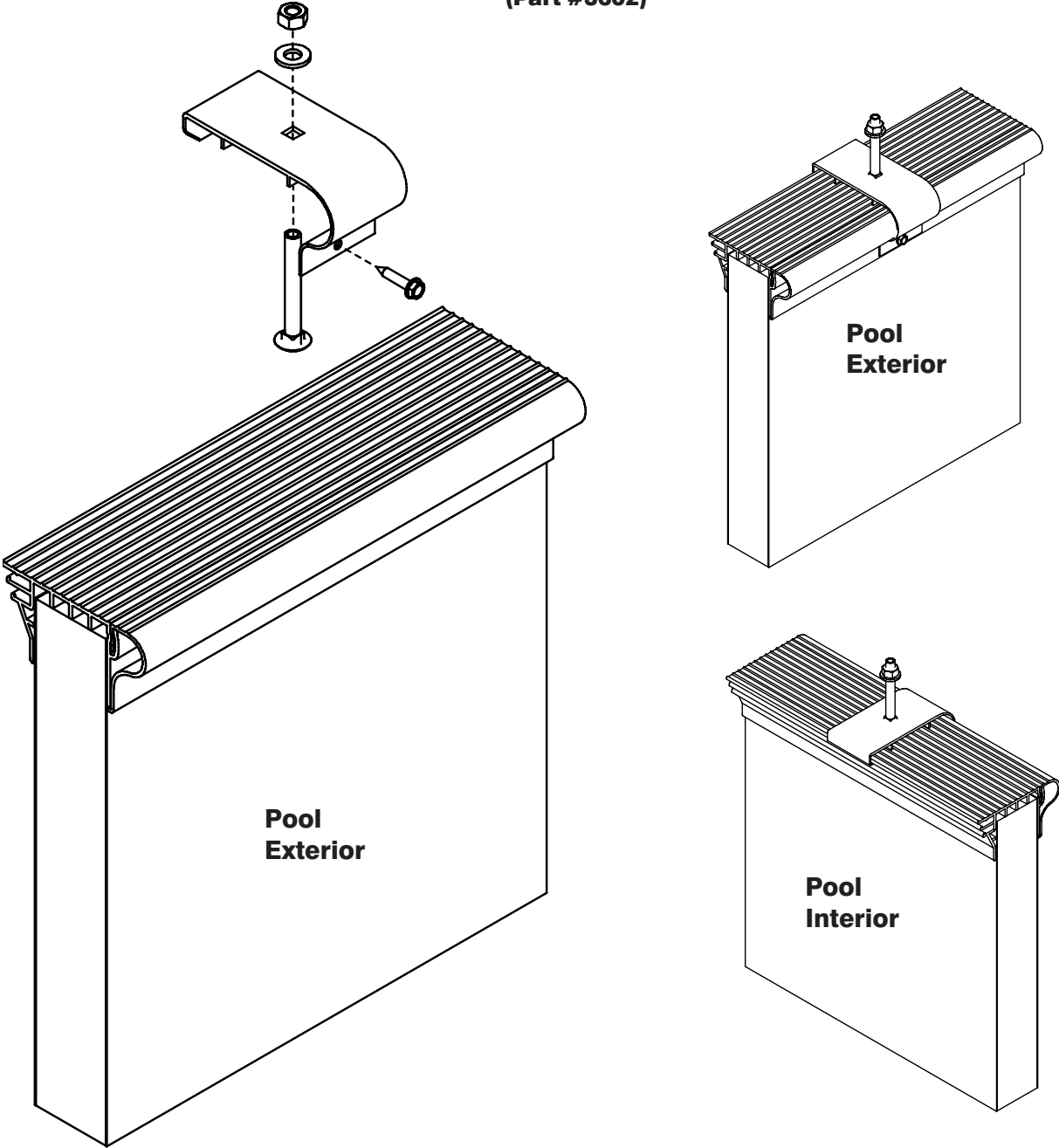


Accessory Mounting Clips

for New Premium Metric Coping

Clip For Ladders and Alarms Mounts

(Part #3602)



DL-8010