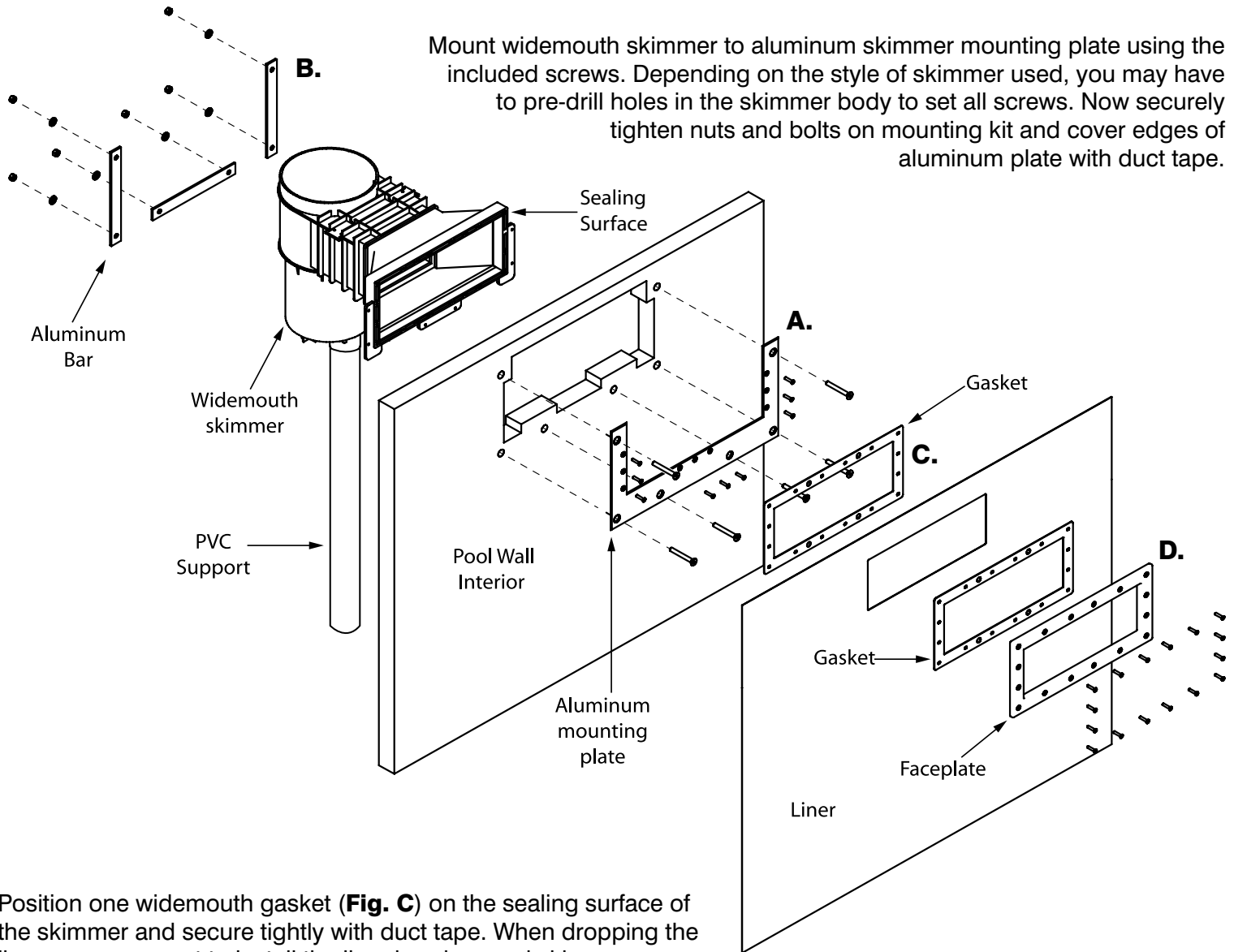


Widemouth Skimmer Installation

Mount the aluminum widemouth skimmer mounting plate (**Fig. A**) to the inside pool wall using the included nuts and bolts, positioning the aluminum bars (**Fig. B**) on the outside of the pool wall as shown below. Keep all connections slightly loose to ensure correct skimmer placement.

IT IS CRITICAL TO MAKE SURE THE SKIMMER IS SUPPORTED BY A LENGTH OF PVC TO PREVENT SETTLING.

Mount widemouth skimmer to aluminum skimmer mounting plate using the included screws. Depending on the style of skimmer used, you may have to pre-drill holes in the skimmer body to set all screws. Now securely tighten nuts and bolts on mounting kit and cover edges of aluminum plate with duct tape.



Position one widemouth gasket (**Fig. C**) on the sealing surface of the skimmer and secure tightly with duct tape. When dropping the liner, you may want to install the liner bead around skimmer locations last, in order to avoid disturbing gasket placement.

After liner has been installed and water level approaches skimmer, prep skimmer faceplate (**Fig. D**) by lining up faceplate and gasket, and then carefully drive screws through faceplate, gasket, liner, interior gasket and into skimmer throat. Securing the corners first will help ensure correct placement.

As water level approaches skimmer, carefully cut out liner from inside of skimmer faceplate with sharp blade, making sure to avoid nicking the gaskets.