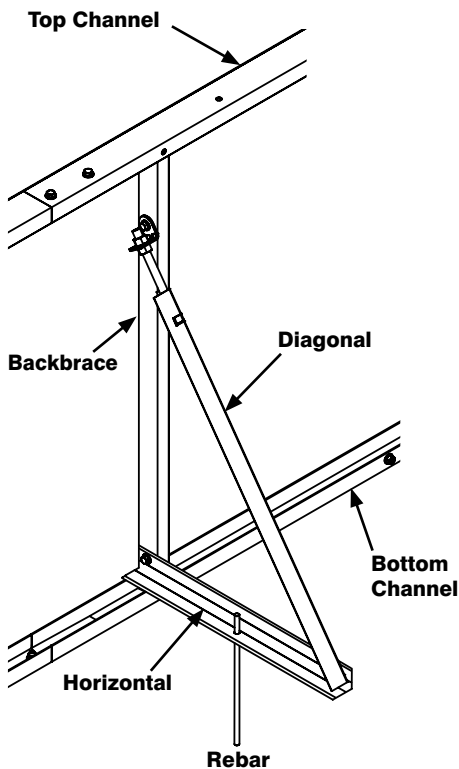
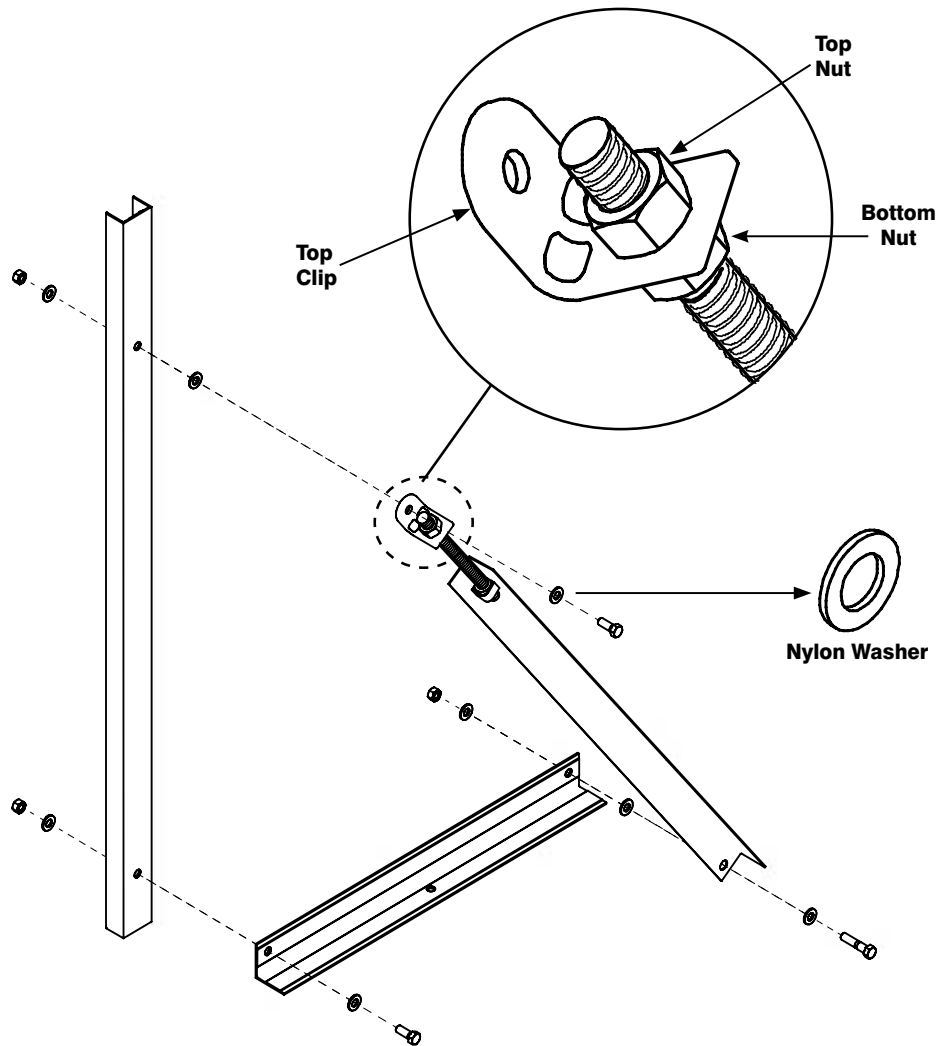


## Adjustable A-Frame Installation

Locate the steel Adjustable A-Frame Diagonal and secure it to the aluminum A-Frame Horizontal using the nylon washers and stainless steel nuts and bolts. **Make sure to place a nylon washer between each aluminum and steel connection.**

After pool wall is constructed and all backbraces are bolted securely to top and bottom channel, attach each A-frame Diagonal and A-Frame horizontal to each backbrace. Use nylon washers and stainless steel nuts and bolts where the top clip attaches and aluminum (bagged separately) when attaching the horizontal.



Tighten all nuts and bolts, including the two nuts on either side of the A-Frame top clip. Drive rebar 3-4" into the ground through punch hole on A-Frame Horizontals.

If pool walls require adjustment after concrete collar is poured, loosen bottom nut on A-Frame and tighten top nut to readjust the top of the pool wall outwards. Conversely, loosen top nut and tighten bottom nut to readjust the top of the pool wall inwards.

When all pool walls are in desired position, tighten the connections on the top of all A-Frames to ensure walls will not move.