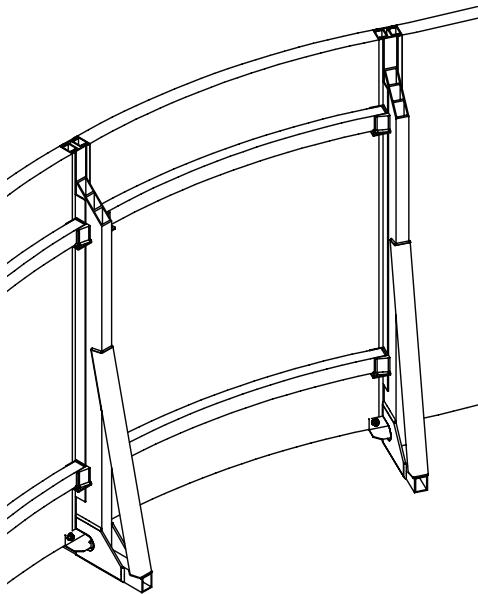


### for Metric Freeform Pools Installed Aboveground and Semi-Inground

The Radiant Metric Freeform swimming pool includes structural bracing on reverse radius panels when installed fully or mostly aboveground (more than 3').

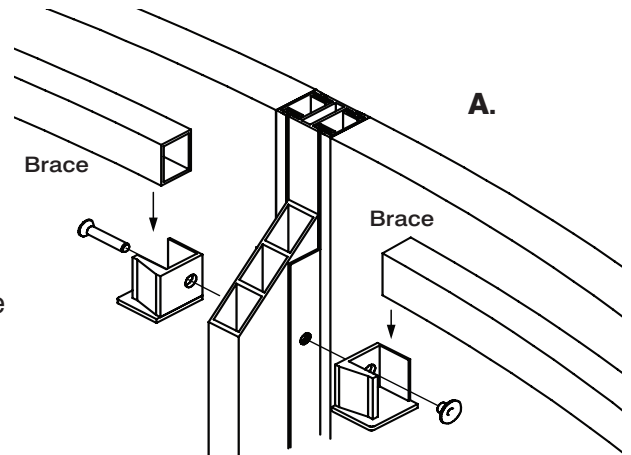
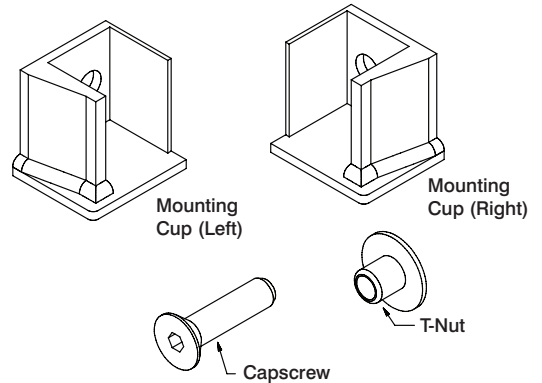
1. Two of each cup and two braces will be used for each reverse radius panel. Identify the right and left mounting cups.

2. When installing A-frames, position mounting cups on either side of the A-frame/T-Spline assembly so that the flat side of the mounting cup rests against the pool wall. Attach with the included capscrew and T-nut. (Fig A.)



3. Slide the curved brace into mounting cups. Ensure a snug fit at bottom of cup.

4. After concrete trenches are poured, install A-frame shroud covers per Metric Freeform Installation Manual. Shrouds will have to be notched to accommodate mounting cups. This can be done with a pair of tin snips or a sharp knife.



Aboveground Freeform with Structural Bracing installed.



Semi-Inground Freeform with Structural Bracing installed.

