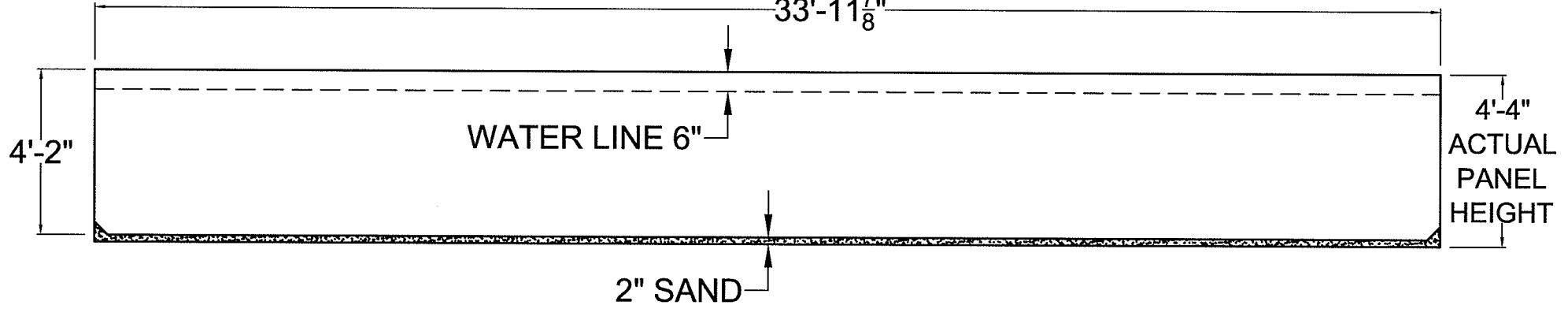


**NON-DIVING POOL
USE OF DIVING EQUIPMENT
IS PROHIBITED**

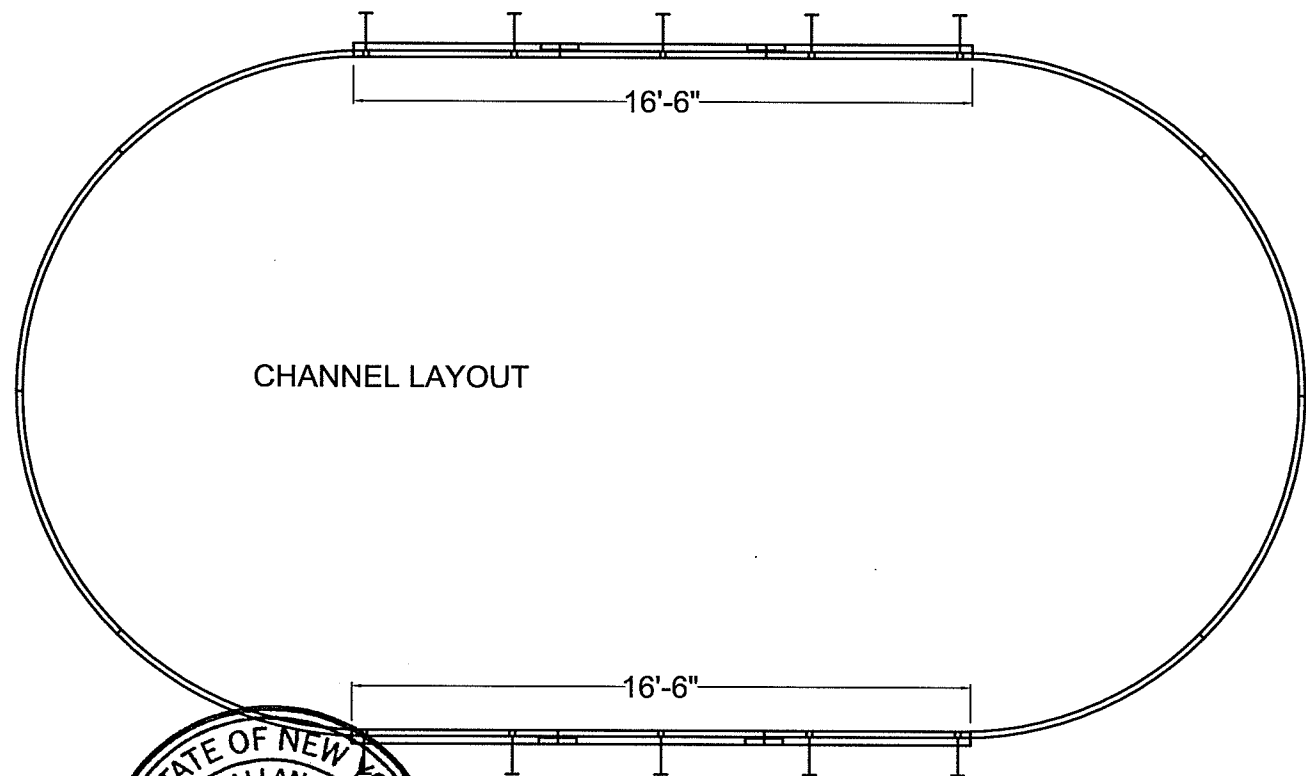
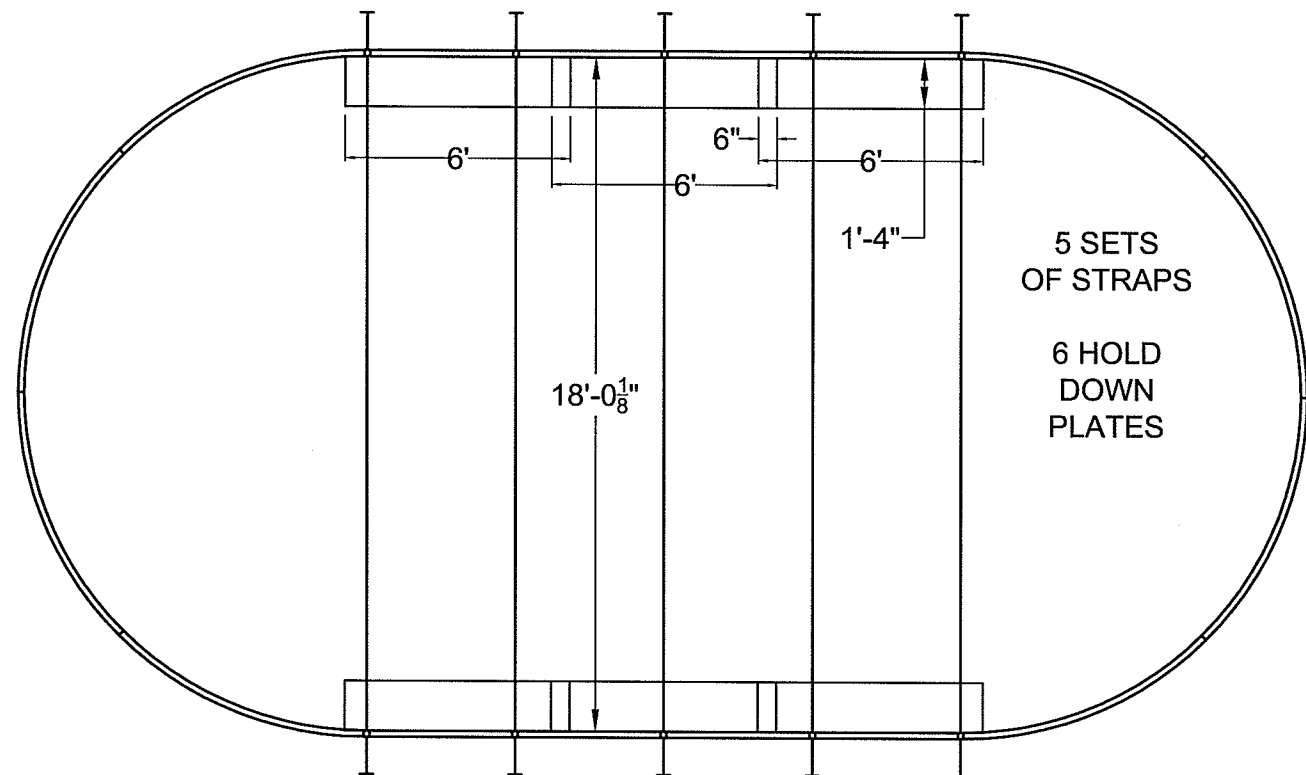
LEGEND
A- FRAME BRACE (TYP)-



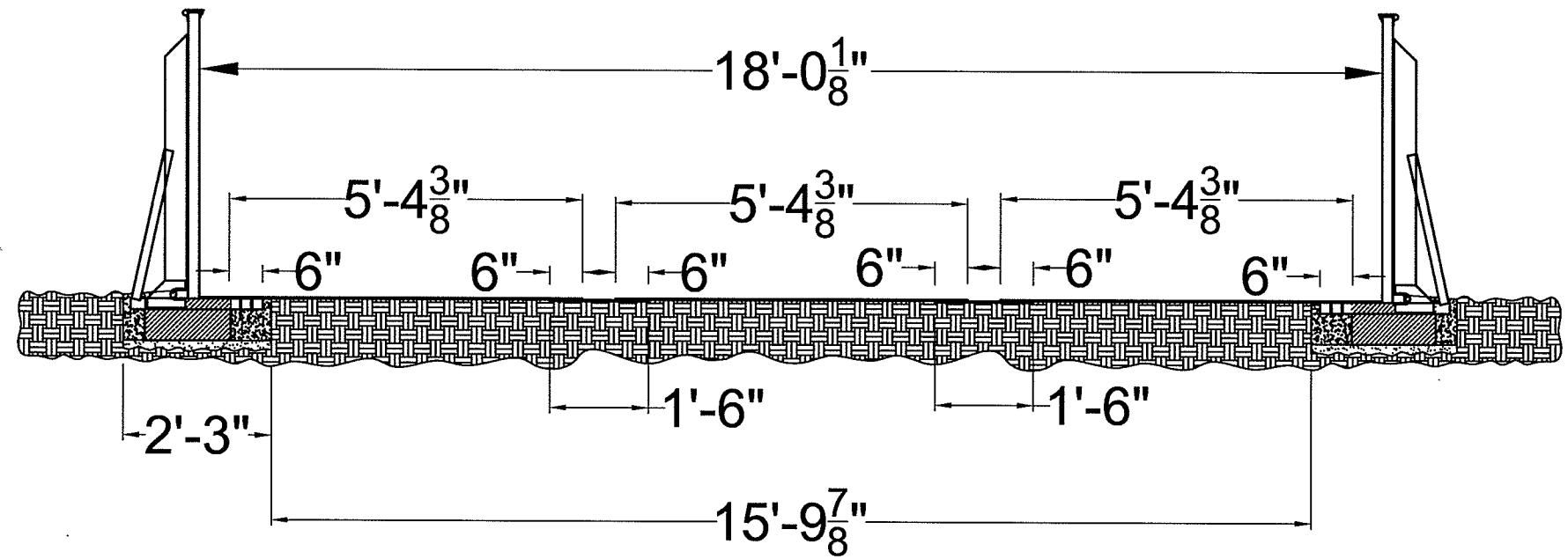
ALL DIMENSIONS ARE FINISH DIMENSIONS



	440 NORTH PEARL STREET ALBANY, NY 12207 PHONE: (518) 434-4161 FAX: (518) 432-6554	18 X 34 METRIC OVAL				
		DATE: 06/07/12	PERIMETER: 88'-6 ³ / ₈ "	AREA: 542.3 sq.ft.	GALLONAGE: 14,874.0 gal.	DEALER: XXXXXX
		CUSTOM FEATURES:		DRAWN BY: DAVE	CHECKED BY: XXXXXX	CUSTOMER: XXXXXX
PART NO. XXXXXXXX	SCALE: XXX	FILE NAME: XXXXXX	PAGE 1 OF 3			

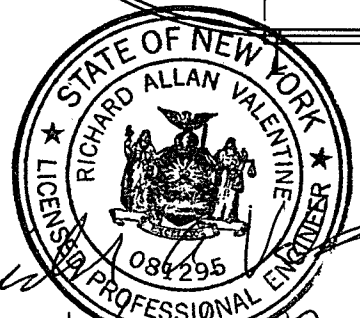


ABOVE GROUND INSTALLATION



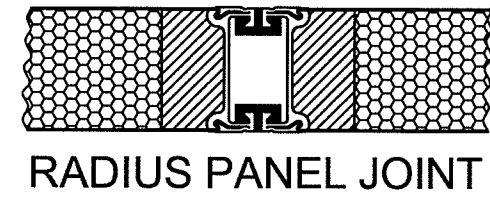
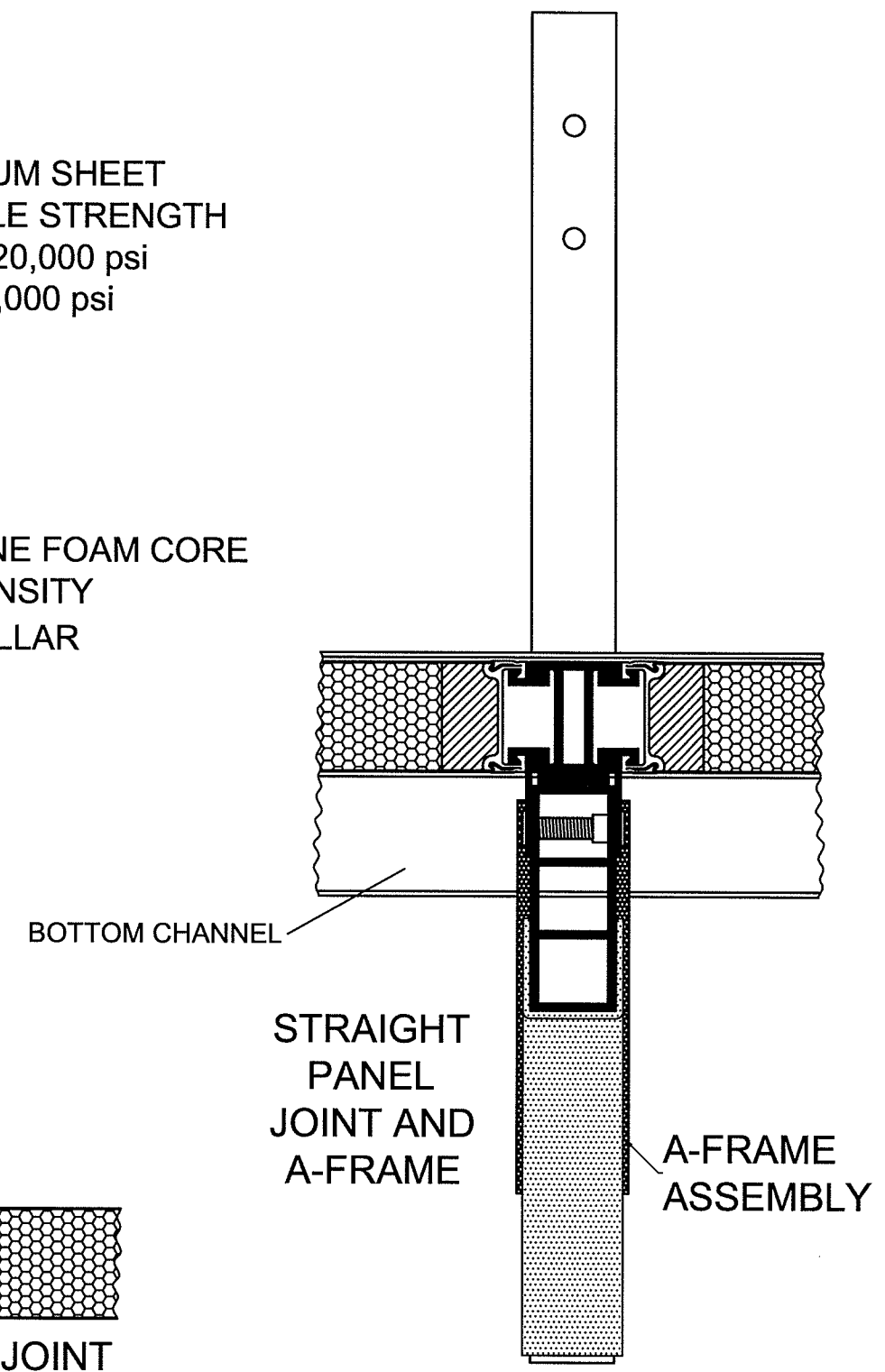
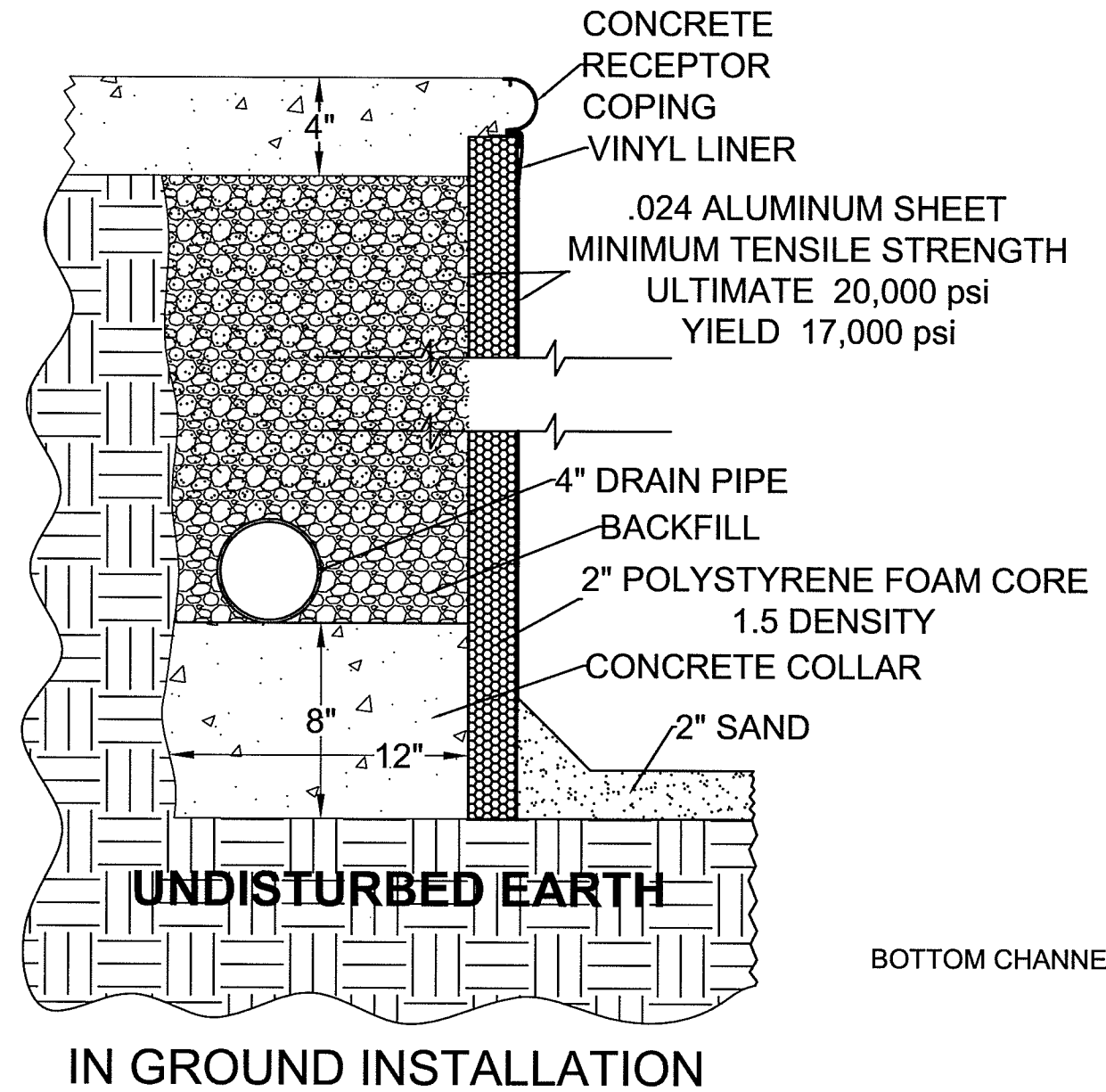
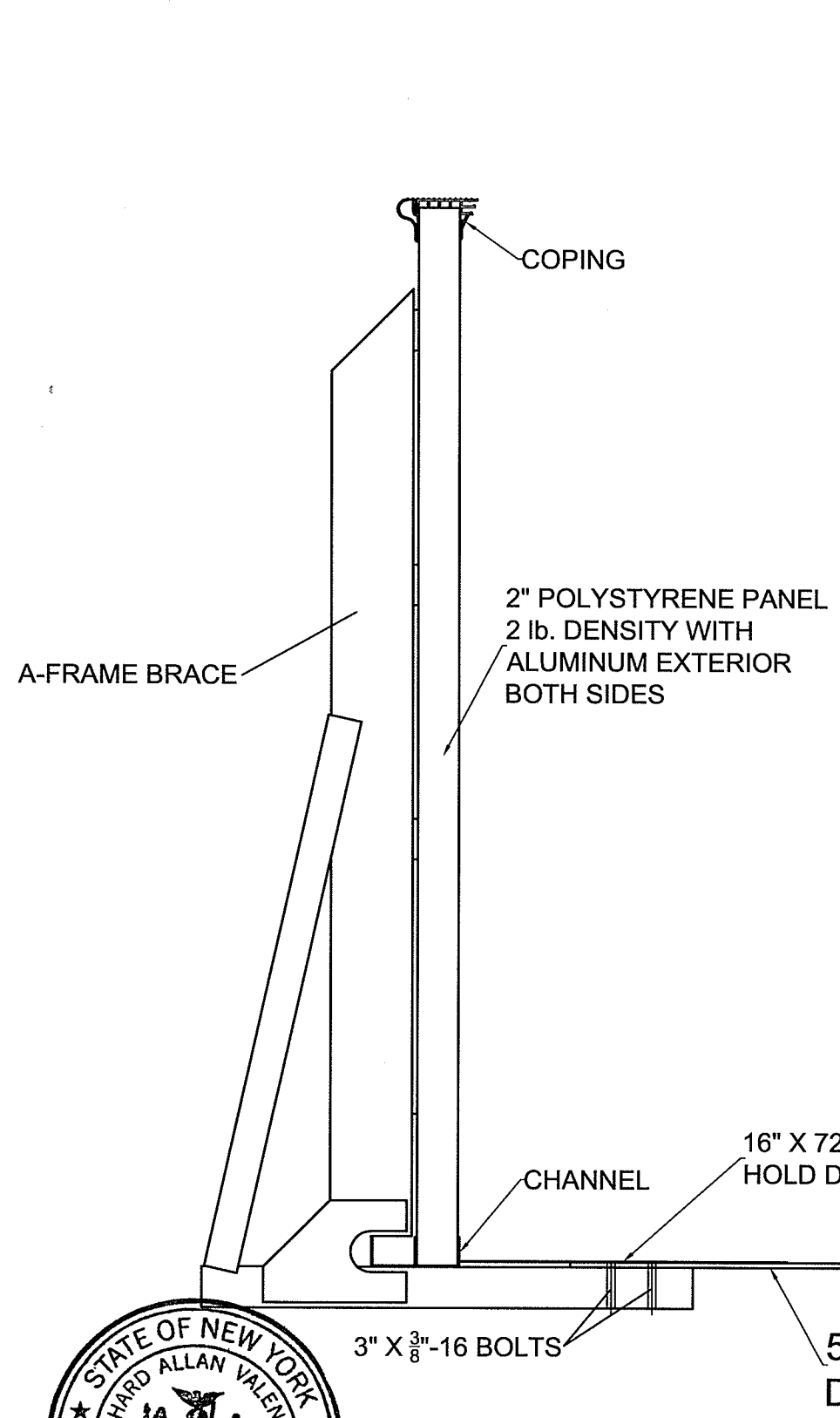
ENGINEERING NOTES

- 1) POOL CAN BE INSTALLED IN OR ABOVE-GROUND
WHEN POOL IS INSTALLED ABOVE GROUND, SURFACE ON WHICH THE POOL WILL STAND MUST BE ABSOLUTELY LEVEL AND SOLID
- 2) POOL CAN BE USED IN-GROUND UNDER THE FOLLOWING CONDITIONS
 - A) WATER TABLE CAN NOT BE HIGHER THAN 2' ABOVE POOL BOTTOM
 - B) FILL POOL WITH WATER BEFORE BACKFILLING
 - C) BACK FILL MATERIAL TO BE POROUS OR GRANULAR (NO CLAY OR LARGE ROCKS)
 - D) POOL TO REMAIN PERMANENTLY FILLED
 - E) DRAINAGE MUST BE SUPPLIED USING DRAIN TILE OR CRUSHED STONE TO DRAIN WATER AWAY FROM POOL IF HIGH GROUND WATER OR SURFACE WATER IS ANTICIPATED, OR IF POOL IS INSTALLED AT THE BASE OF A HILL OR IN A CLAY CONDITION
 - F) SLOPE DECK SURFACE 1/4" PER FOOT AWAY FROM POOL
- 3) WHEN PANELS ARE JOINED USING SPLINES, THE ASSEMBLY IS ELECTRICALLY BONDED. WHEN THE POOL IS FULLY ASSEMBLED THE ELECTRICAL CONTINUITY MEETS THE REQUIREMENTS OF THE US NATIONAL ELECTRIC CODE.
- 4) CONSTRUCTION METHODS AND PRECAUTIONS ARE DICTATED BY GROUND AND SOIL CONDITIONS TO BE DETERMINED BY THE CONTRACTOR, WHO IS NOT AN AGENT OR EMPLOYEE OF RADIANT POOLS OR THE MANUFACTURER OF THE POOL COMPONENTS



RVA
10/21/2012

	440 NORTH PEARL STREET ALBANY, NY 12207 PHONE: (518) 434-4161 FAX: (518) 432-6554		18 X 34 METRIC OVAL			
	DATE: 06/07/12	PERIMETER: 88'-6 3/8"	AREA: 542.3 sq.ft.	GALLONAGE: 14,874.0 gal.	DEALER XXXXXX	
	CUSTOM FEATURES		DRAWN BY: DAVE	CHECKED BY: XXXXXX	CUSTOMER XXXXXX	
PART NO. XXXXXXXX	SCALE XXX	FILE NAME: XXXXXXX	PAGE 2 OF 3			



	440 NORTH PEARL STREET ALBANY, NY 12207 PHONE:(518) 434-4161 FAX:(518) 432-6554		18 X 34 METRIC OVAL			
	DATE: 06/07/12	PERIMETER: 88'-6 3/8"	AREA: 542.3 sq.ft.	GALLONAGE: 14,874.0 gal.	DEALER XXXXXX	
	CUSTOM FEATURES		DRAWN BY: DAVE	CHECKED BY: XXXXXX	CUSTOMER XXXXXX	
	PART NO. XXXXXXXX	SCALE XXX	FILE NAME: XXXXXX	PAGE 3 OF 3		