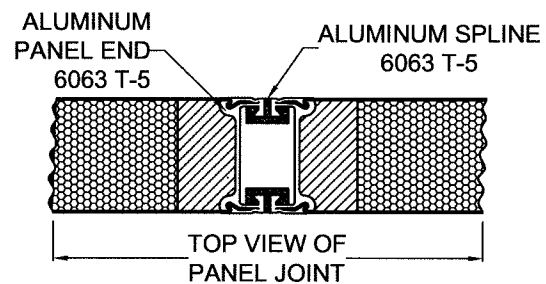
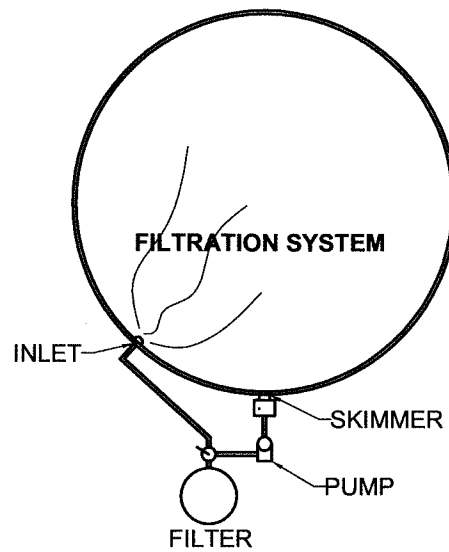


POOL COMPONENTS	
1	WALL PANELS - 6 TO 14 CURVED PANELS JOIN TOGETHER TO FORM POOL
2	SPLINES - 2 ARE SLID IN AT EACH JOINT TO CONNECT WALL PANELS
3	PLASTIC COPING - PRE CURVED SECTIONS SNAP OVER WALLS TO HOLD LINER
4	SKIMMER - CONTINUALLY REMOVES SURFACE DEBRIS
5	INLET - RETURNS FILTERED WATER TO POOL
	VINYL LINER - FITS INSIDE POOL TO FORM A WATERTIGHT SKIN



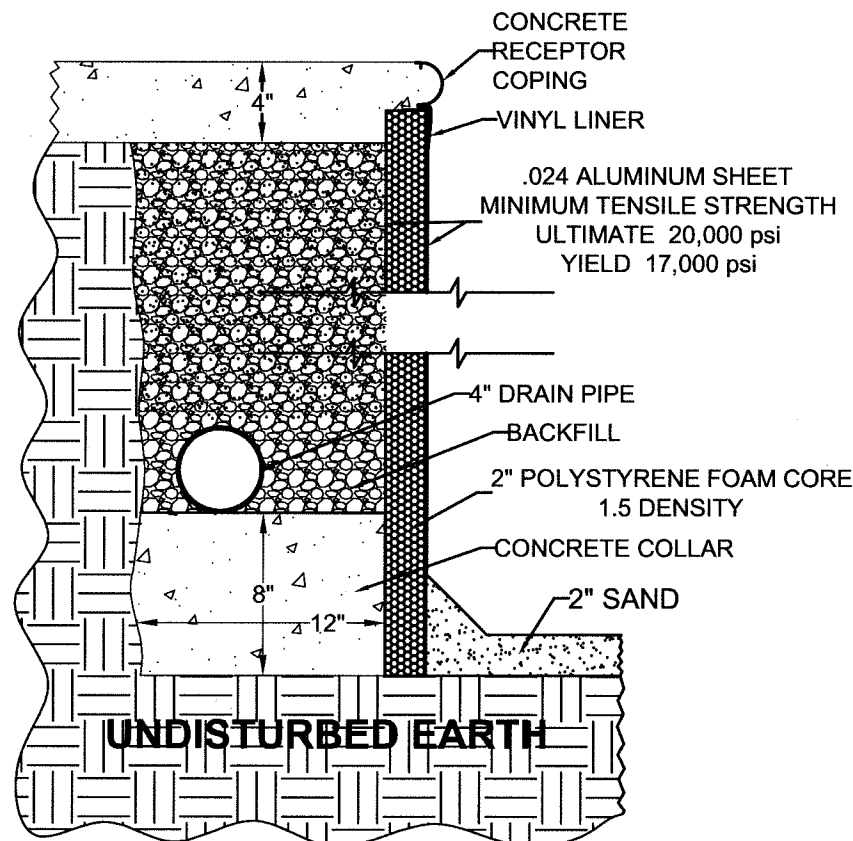
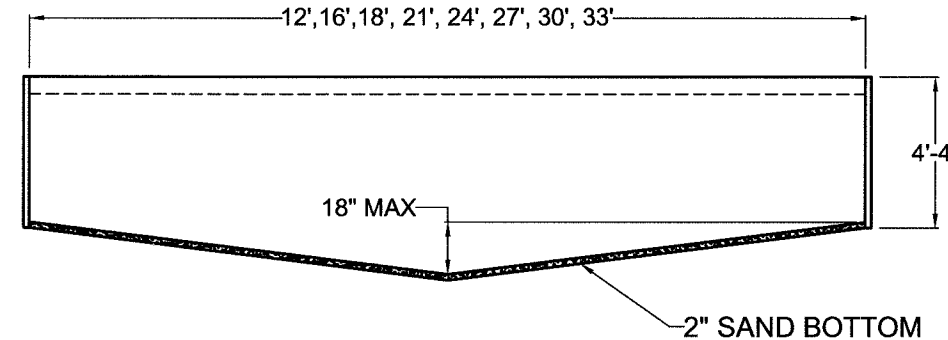
### ENGINEERING NOTES

- 1) POOL CAN BE INSTALLED IN OR ABOVE-GROUND
- 2) POOL CAN BE USED IN-GROUND UNDER THE FOLLOWING CONDITIONS
  - A) WATER TABLE CAN NOT BE HIGHER THAN 2' ABOVE POOL BOTTOM
  - B) FILL POOL WITH WATER BEFORE BACKFILLING
  - C) BACK FILL MATERIAL TO BE POROUS OR GRANULAR (NO CLAY OR LARGE ROCKS)
  - D) POOL TO REMAIN PERMANENTLY FILLED
  - E) DRAINAGE MUST BE SUPPLIED USING DRAIN TILE OR CRUSHED STONE TO DRAIN WATER AWAY FROM POOL IF HIGH GROUND WATER OR SURFACE WATER IS ANTICIPATED, OR IF POOL IS INSTALLED AT THE BASE OF A HILL OR IN A CLAY CONDITION
  - F) SLOPE DECK SURFACE 1/4" PER FOOT AWAY FROM POOL
- 3) WHEN PANELS ARE JOINED USING SPLINES, THE ASSEMBLY IS ELECTRICALLY BONDED. WHEN THE POOL IS FULLY ASSEMBLED THE ELECTRICAL CONTINUITY MEETS THE REQUIREMENTS OF THE US NATIONAL ELECTRIC CODE.

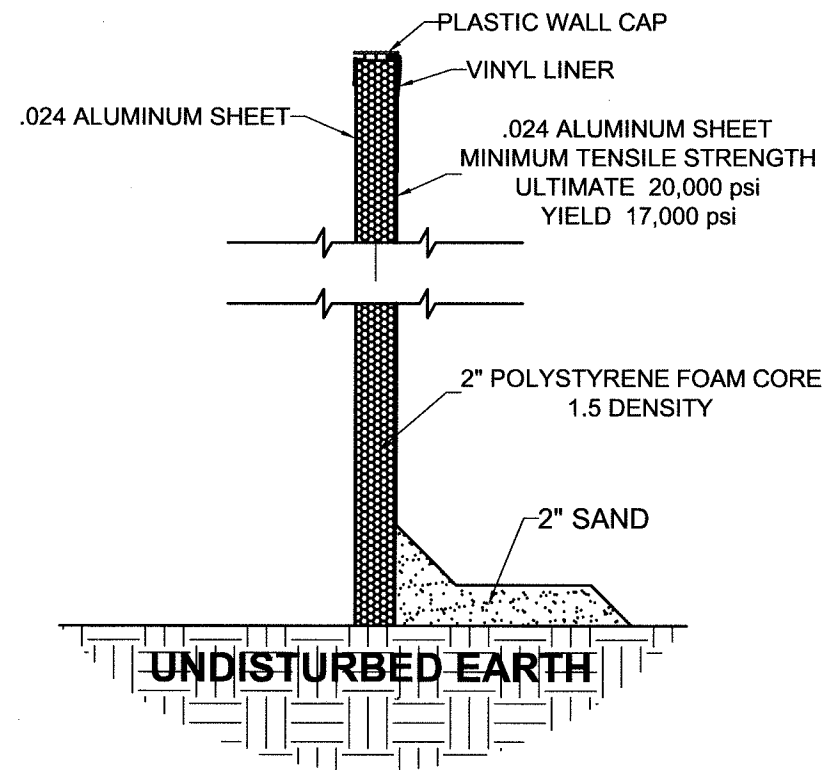


**NON-DIVING POOL  
USE OF DIVING EQUIPMENT  
IS PROHIBITED**

POOL SIZE / WATER GALLONAGE		
DIAMETER	# OF PANELS	VOLUME, 44" OF WATER
12'	6	3,102.1 GAL.
16'	8	5,514.8 GAL.
18'	8	6,979.7 GAL.
21'	10	9,500.2 GAL.
24'	10	12,408.4 GAL.
27'	10	15,704.4 GAL.
30'	12	19,388.1 GAL.
33'	14	23,459.6 GAL.



**IN GROUND INSTALLATION**



**ABOVE GROUND INSTALLATION**

**Radiant  
POOLS**

440 NORTH PEARL STREET  
ALBANY, NY 12207  
PHONE:(518) 434-4161  
FAX:(518) 432-6554

## METRIC SERIES 52" WALL ROUND POOLS

DATE: 05/11/2012	PERIMETER: XXXX	AREA: XXXX sq.ft.	GALLONAGE: XXXX gal.	DEALER: XXXXXX
CUSTOM FEATURES		DRAWN BY: DAVE	CHECKED BY: XXXXXX	CUSTOMER: XXXXXX
PART NO. XXXXXXXX	SCALE: XXX	FILE NAME: XXXXXXXX	PAGE 1 OF 1	