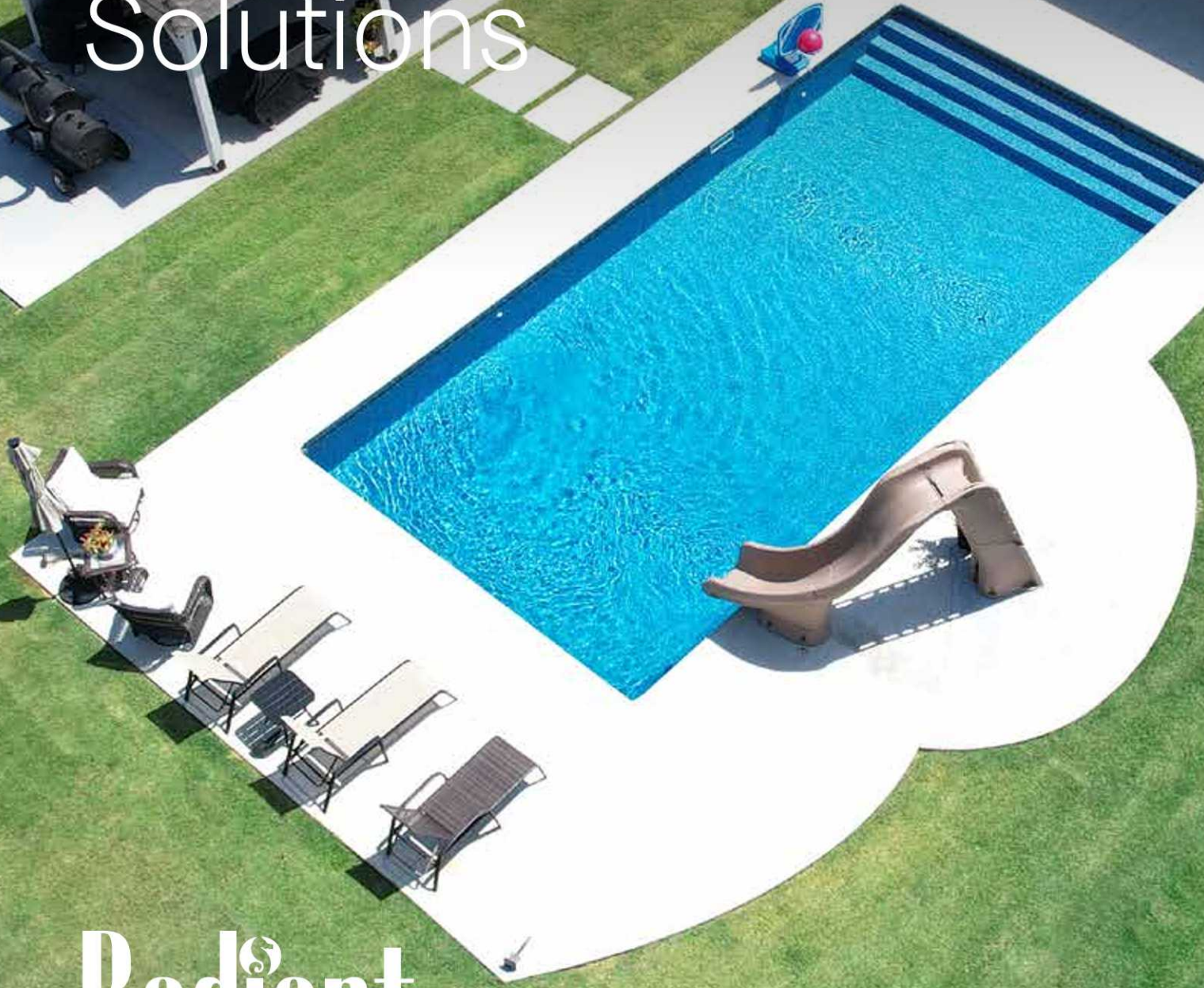


Inground Pool Solutions



Radiant
A Latham Pool Company



Pioneering Innovation

Since 1957, Radiant Pools has been at the forefront of innovation in the swimming pool industry. From our beginning with a concept developed by Aerospace engineers, to our revolutionary new step options, we continue to pioneer innovative solutions. We incorporate the latest technologies and advanced engineering to give you the backyard of your dreams.

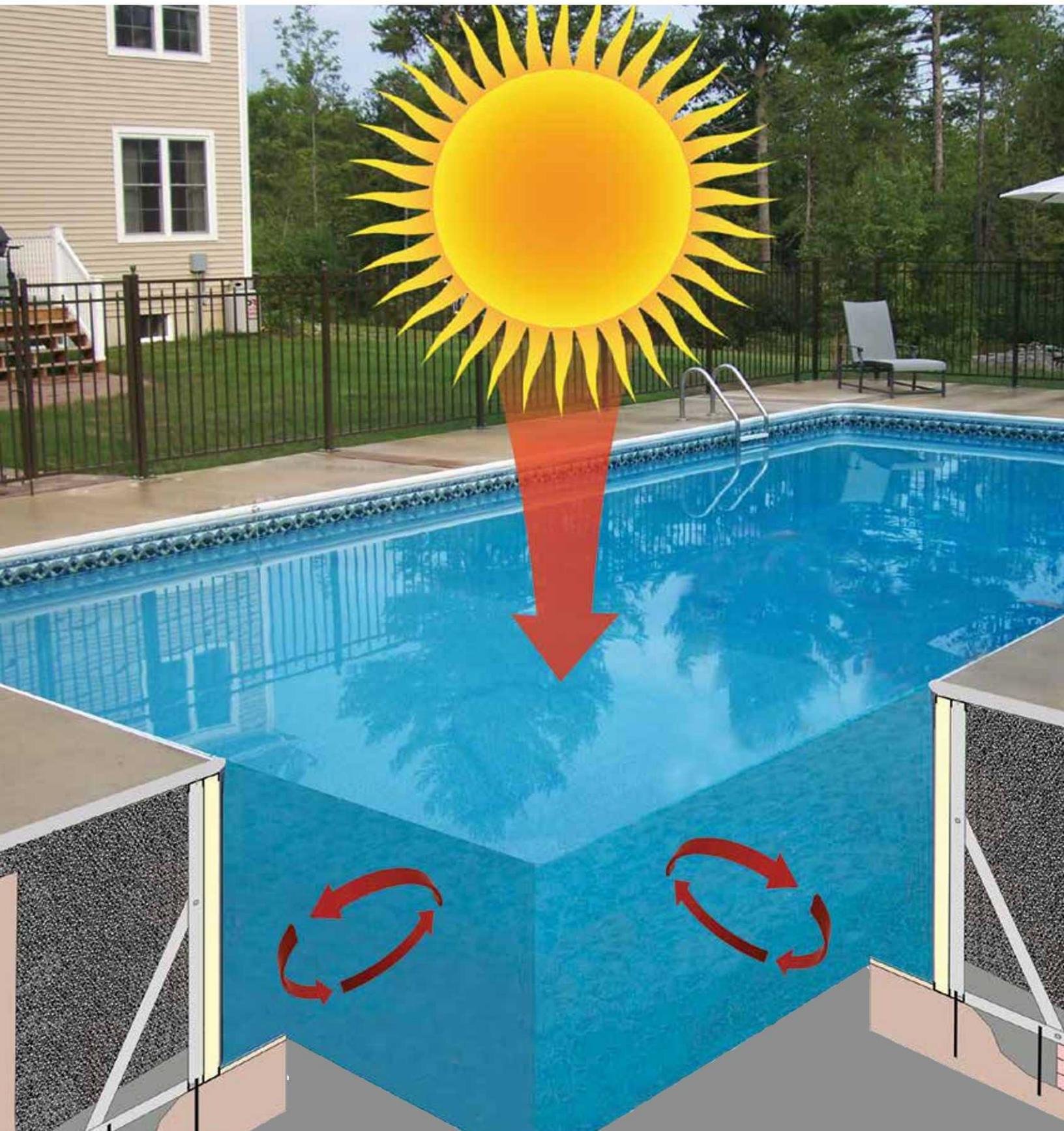
Radiant Pools have been tested and proven for over 60 years!



Advanced Engineering

Radiant Pools utilizes the same technology employed in the aerospace industry. Chosen for its combination of strength, lightness and resistance to stress and corrosion, our 2-inch thick insulated wall panels are constructed of EPS (expanded polystyrene) foam insulation core bonded between sheets of durable acrylic coated virgin aluminum. The patented bonding process that joins the three layers creates a rigid wall that is far stronger and more durable than any other pool wall.





Annual Pool Heating Cost Comparison



Figures based on a 16' x 32' inground pool heated with an 80% efficient natural gas heater at \$.80 per therm. Information Source: U.S. DOE - EERE Consumer's Guide)

Energy Savings

The R-10 insulated panels resist heat loss more than any other type of pool wall. Heat gained from the sun is retained and water temperature is maintained overnight. With the superior heat retention properties of a structurally insulated Radiant Pool, the sun is your primary pool heating source!

It's what you don't see that counts.

Radiant insulated wall panels help keep the water warmer longer, reducing the need to run a heater, giving you incredible savings on energy costs!

With these incredible energy cost savings, over time, a radiant pool will simply pay for itself!

**Saving up to
33%
of heating costs**

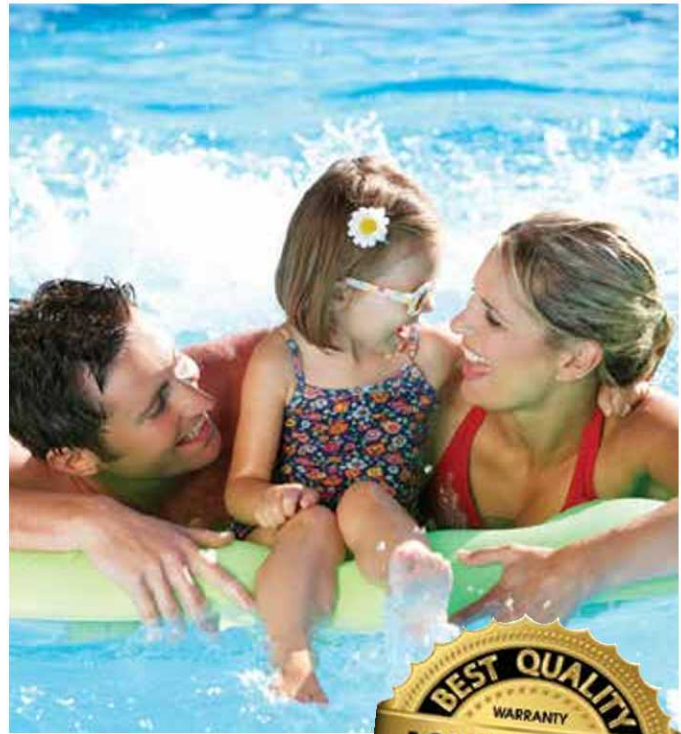
*based on chart above

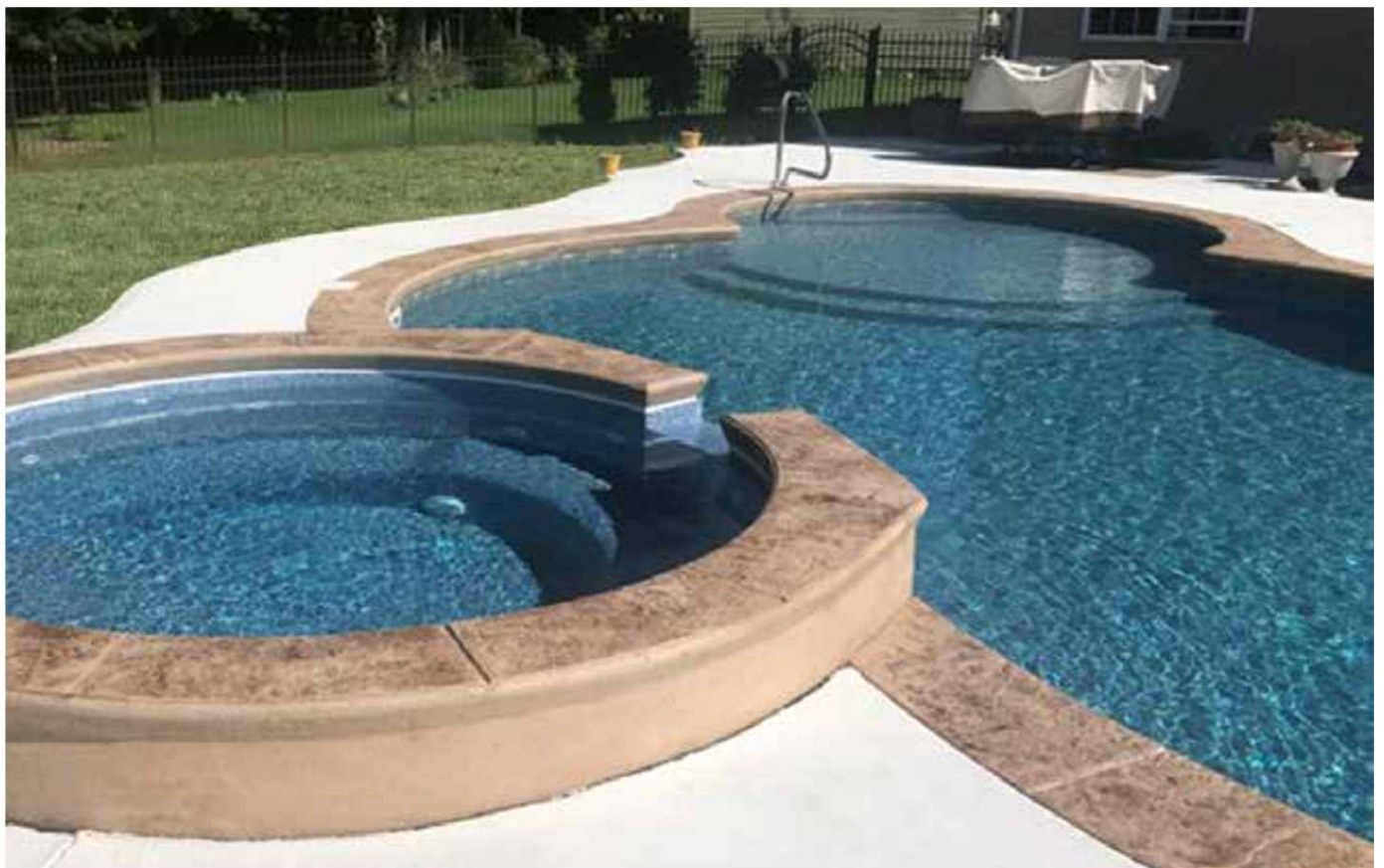


A Lifetime of Memories Guaranteed!

A backyard swimming pool is a place to make memories. Our commitment to advanced engineering is why every Radiant Pool comes with a 100% Lifetime Warranty. Our History of manufacturing excellence is the foundation of the Radiant Pool Lifetime Warranty, in place for over 60 years. The incredible structure of your Radiant Pool is guaranteed for life against any manufacturing defect. This assures that you and your family will continue making those memories for a lifetime!

Our Full Lifetime warranty is never prorated and is fully transferable! A Radiant Pool creates not only a private backyard oasis for you and your family, but also gives you true resale value and return on your investment. Trust it year after year, and transfer it from homeowner to homeowner for generations to come!

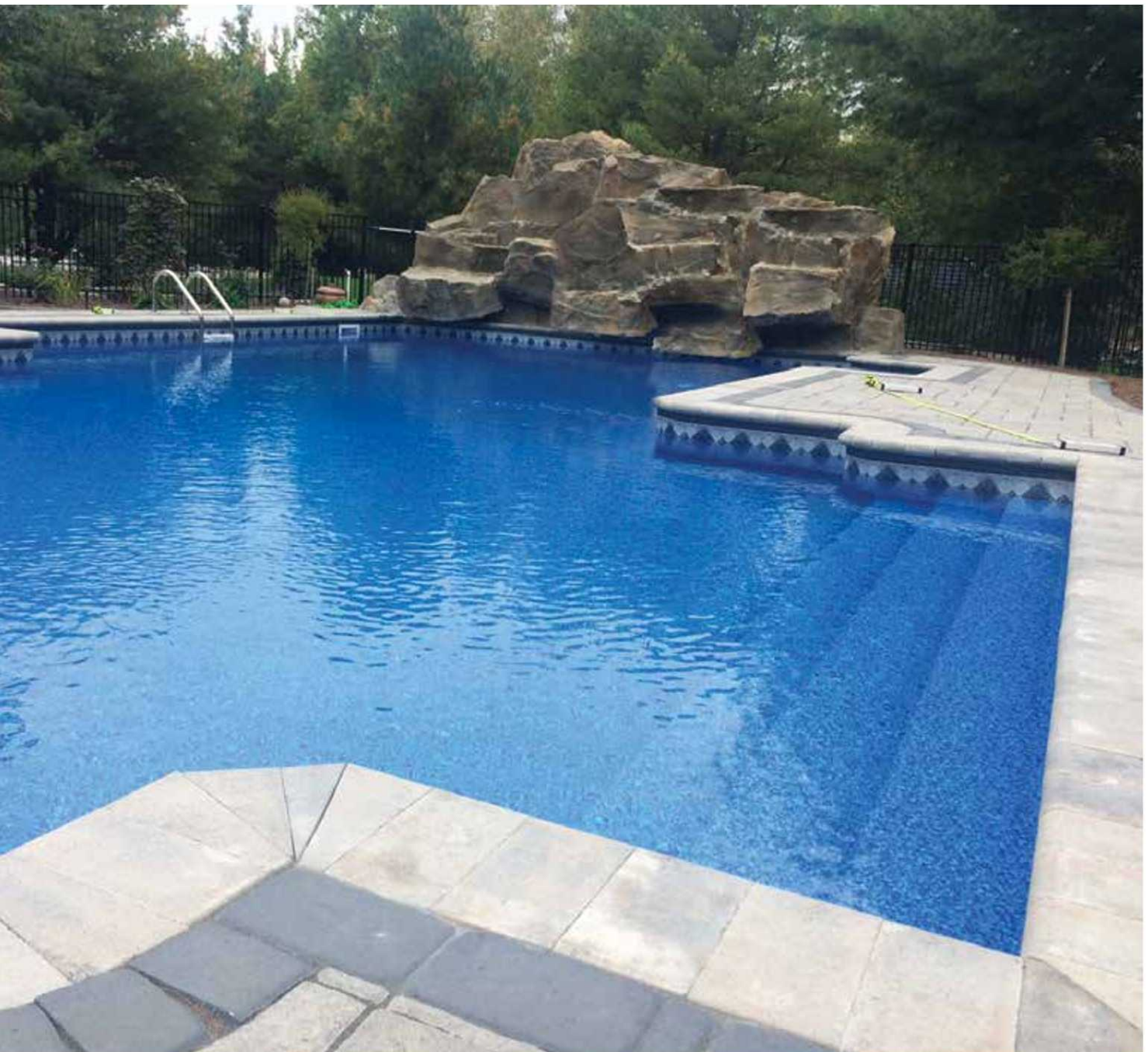




Transforming Spaces

Creating your own backyard resort

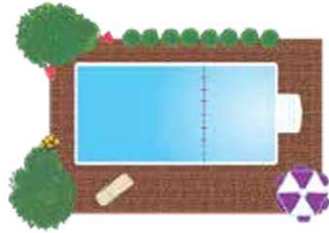
When planning your inground pool, it is important to consider the style that best suits you and your yard. Whether you prefer lines and angles or loose curves, Radiant Pools offers a variety of geometric and freeform shapes from which to choose.



Ideas Taking Shape

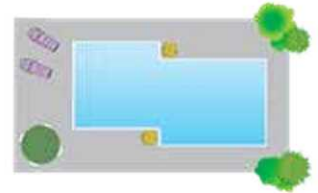
Rectangle

- 12 × 24
- 14 × 28
- 16 × 32
- 16 × 36
- 18 × 36
- 20 × 40



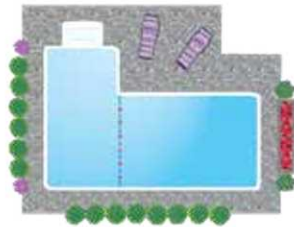
Offset Rectangle

- 20 × 40
- 24 × 44



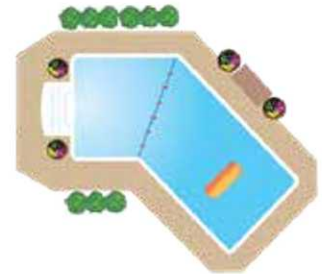
Rectangle True L

- 16 × 38 × 24



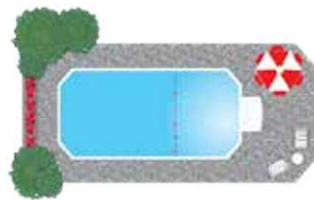
Rectangle Lazy L

- 16 × 40 × 20



Emerald

- 16 × 32
- 18 × 36
- 20 × 40



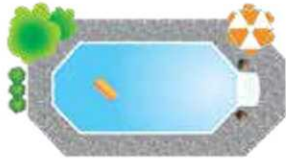
Emerald True L

- 18 × 37 × 26



Grecian

- 15 × 29
- 17 × 33
- 17 × 37
- 17 × 41
- 24 × 30
- 24 × 36



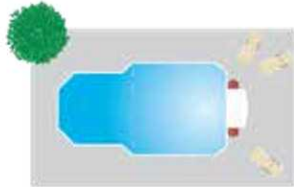
Grecian Lazy L

- 17 × 39 × 20



Topaz

- 18 × 36
- 20 × 40



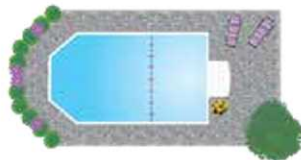
Family Topaz

- 18 × 36
- 20 × 40



Garnet

- 13 × 25
- 15 × 30
- 16 × 32
- 18 × 36



Roman End

- 16 × 32
- 18 × 36
- 20 × 40



Oval

- 14 × 26
- 16 × 32
- 18 × 36
- 20 × 40



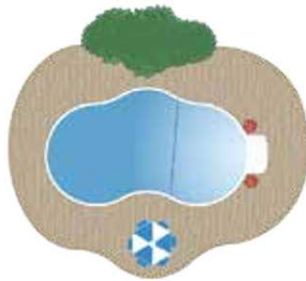
Kidney

- 18 × 32
- 18 × 36
- 20 × 40



Blue Lagoon

- 14 × 28
- 18 × 32
- 18 × 36
- 22 × 37
- 24 × 40



Mountain Lake

- 20 × 42
- 22 × 44



Adirondack Pond

- 21 × 37
- 24 × 40
- 24 × 44



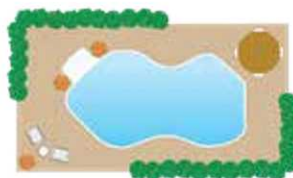
Oxbow

- 16 × 34 × 25
- 18 × 36 × 27



Holland Bay

- 18 × 36
- 22 × 40



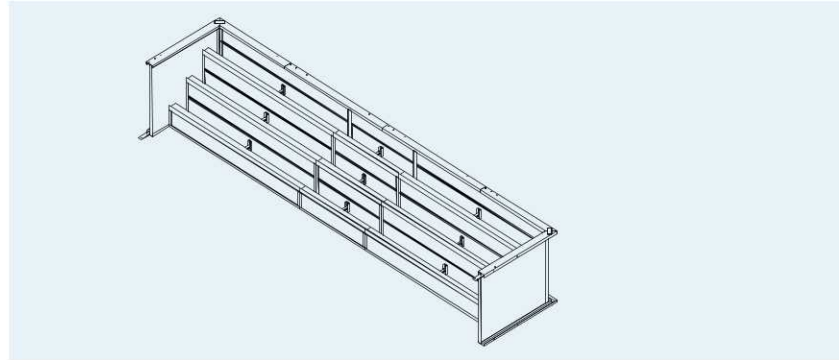
Inside Step Forms

Made from the same high quality material as the structurally superior, insulated Radiant Pool wall panel, the forms are fully integrated into the construction of the pool.

Straight Step Forms (full and rectangle)

Span	Available Wall Heights		
	42"	48"	52"
16'	42"	48"	52"
18'	42"	48"	52"
20'	42"	48"	52"

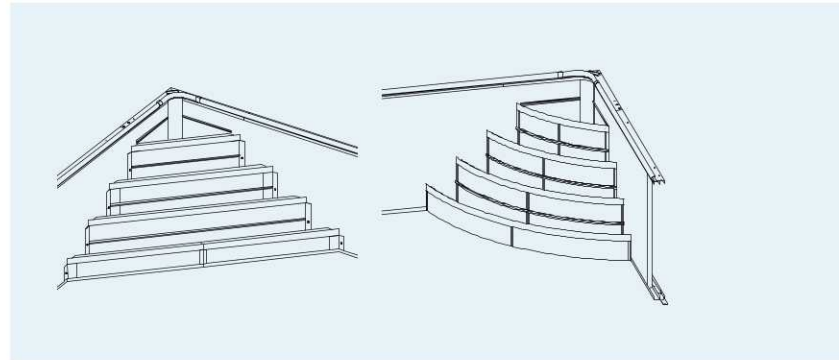
42" Wall Height - 3 Treads
 48"/52" Wall Height - 4 Treads



Corner Step Forms

Tread	Available Wall Heights		
	42"	48"	52"
Straight	42"	48"	52"
Radius	42"	48"	52"

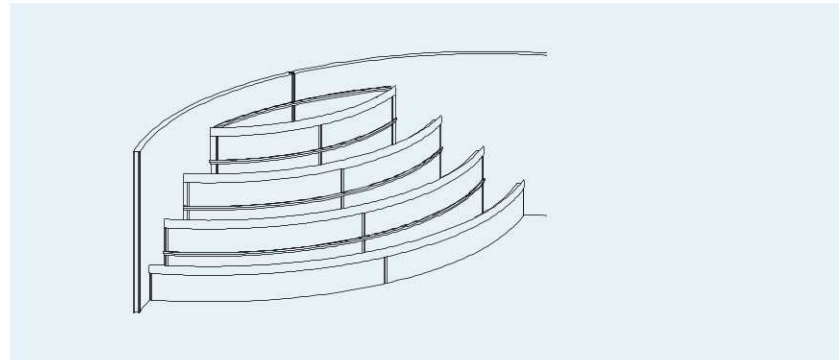
42" Wall Height - 3 Treads
 48"/52" Wall Height - 4 Treads



Wedding Cake Step Forms

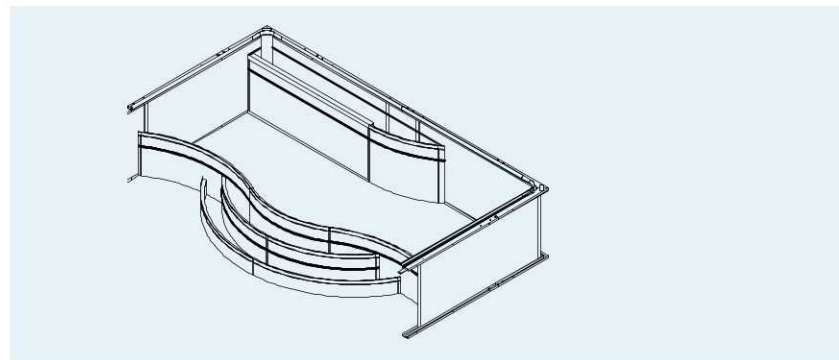
Tread	Available Wall Heights		
	42"	48"	52"
Str/Rad	42"	48"	52"

42" Wall Height - 3 Treads
 48"/52" Wall Height - 4 Treads



Custom Step Forms

Custom design and quotes are available upon request. Please contact our Customer Service Department for more information.









Keep Your Eye On The Children At All Times:

Whenever children are in or near water, competent adult supervision should always be on hand. Water is quite a draw to small children, so adults should be watchful at all times around any water element, even when swimming is not on the agenda. Never assume that flotation devices will suffice – there is no substitute for constant adult supervision.

Display All Signs and Stickers:

A warning sign and safety labels should have been provided and installed by your pool professional. It is important to permanently display safety rules and review all rules with all of your guests prior to allowing them to enter your pool as this will help ensure that everyone using your pool will use it safely.

It's Always Safety First:

When entering a pool, proceed with caution. Always enter feet first! Consult with your pool professional to determine applicable safety standards for diving in your pool. A person must know the depth of the water, the configuration of the bottom and the slope of the bottom before you should allow anyone to dive.

Your pool can give you, your family and guests many years of fun and relaxation. By learning and adhering to a few simple safety standards, you'll help ensure an enjoyable pool experience for you, your family and your friends.

Enjoy Safely.

Radiant Pools are designed and intended for private residential use only.

Don't Impair Your Judgment:

When you gather around the pool, don't add anything to the mix that might impair reaction time or decision making ability such as alcohol and/or drugs. Anything that can cause sleepiness, drowsiness or that raises or lowers your blood pressure should be avoided when you plan to be in or around the pool. Even a small amount of alcohol or drugs can affect a person's judgment and increase the risk of injury around your pool.

A Fence Makes Sense:

Install a secure enclosure around your pool area to avoid unauthorized or unsupervised use. Consult your city, county or state codes or regulations for building and safety requirements for your backyard pool.

Look To the Pool Industry Professionals:

The Association of Pool & Spa Professionals (APSP) is committed to safe, healthful and enjoyable use of pool industry products. The APSP provides a variety of useful tools for pool professionals and consumers, including the excellent brochure, "The Sensible Way To Enjoy Your Inground Pool" to learn how to avoid swimming related accidents.



Radiant Pools is a proud member of the following organizations:



Radiant Pools is the only swimming pool manufacturer to become an Energy Star Partner.

This brochure is for illustrative purposes only. Radiant Pools makes only those representations that are stated in its written warranties. Any other representation, statements or contracts made by the dealer and/or contractor to the customer regarding any materials produced by Radiant Pools are attributable only to the dealer or contractor. The dealer or contractor who sells or installs your pool is not an agent or employee of Radiant Pools.

Radiant
A Latham Pool Company

Radiant Pools
440 North Pearl Street
Albany, NY 12207
518-434-4161

radiantpools.com
lathampool.com