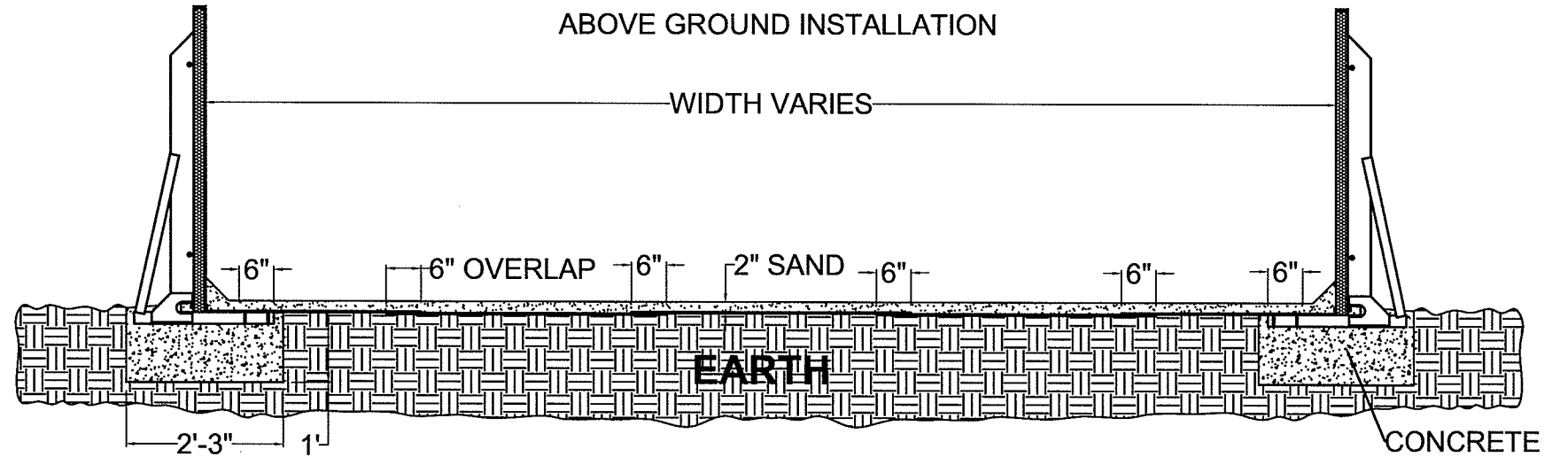
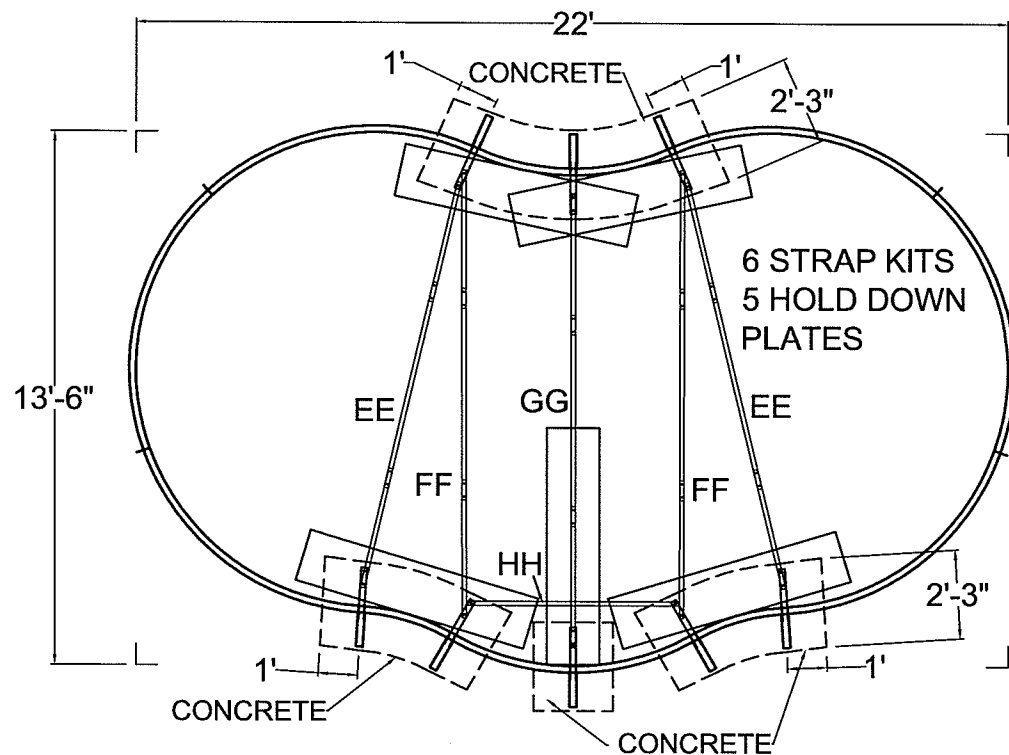


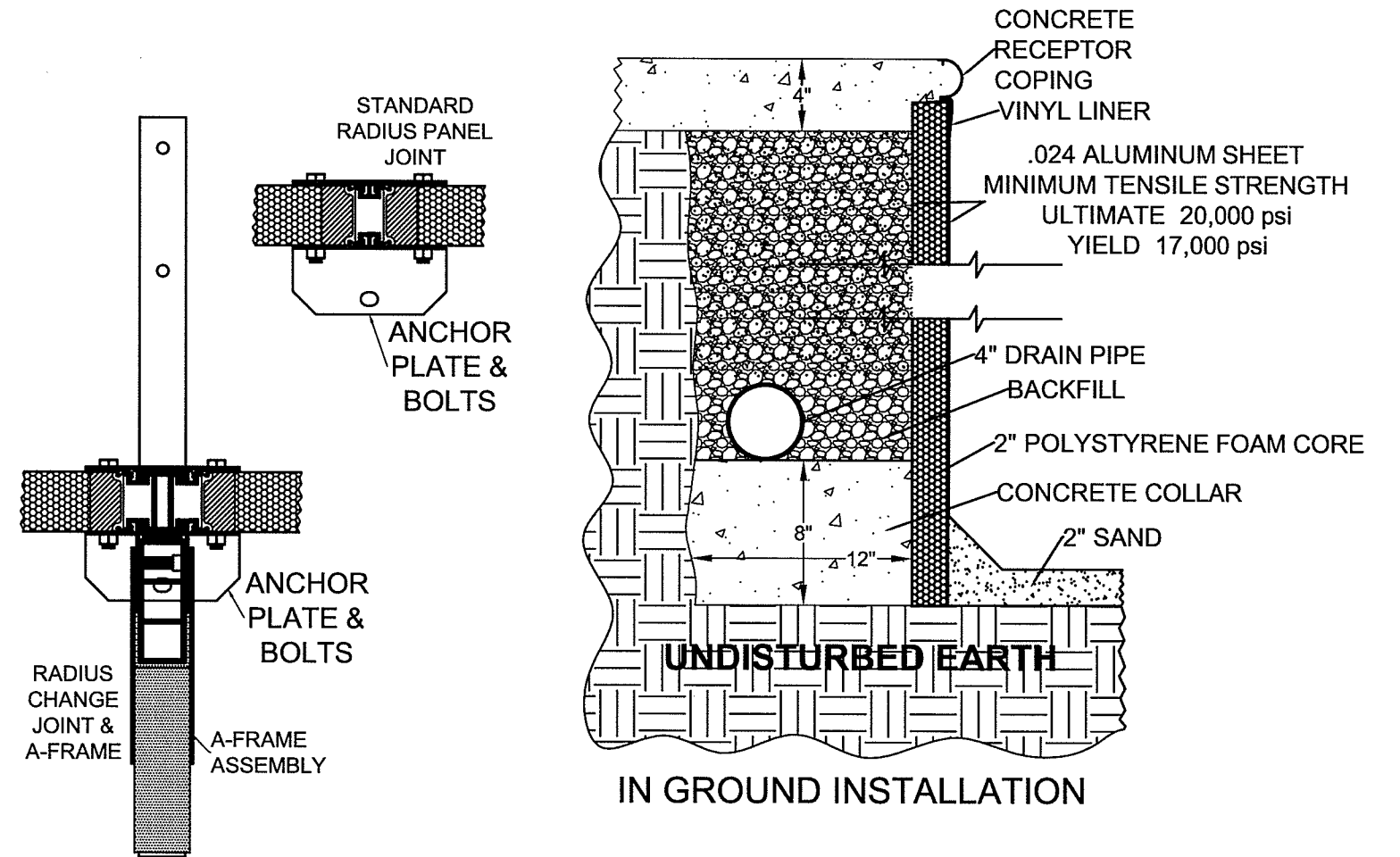
*Radiant Pools*  
10/23/2012

	440 NORTH PEARL STREET ALBANY, NY 12207 PHONE: (518) 434-4161 FAX: (518) 432-6554				<b>13'-6" X 22 METRIC BLUE LAGOON</b>					
	DATE:	10/01/12	PERIMETER:	58'-6 1/2"	AREA:	236.3 sq.ft.	GALLONAGE:	6,480.4 gal.	DEALER:	XXXXXX
	CUSTOM FEATURES				DRAWN BY:		CHECKED BY:		CUSTOMER:	
					DAVE		XXXXXX		XXXXXX	
PART NO. XXXXXXXX				SCALE XXX		FILE NAME: XXXXXX		PAGE 1		



**ENGINEERING NOTES**

- 1) POOL CAN BE INSTALLED IN OR ABOVE-GROUND  
WHEN POOL IS INSTALLED ABOVE GROUND, SURFACE ON WHICH THE POOL WILL STAND MUST BE ABSOLUTELY LEVEL AND SOLID
- 2) POOL CAN BE USED IN-GROUND UNDER THE FOLLOWING CONDITIONS
  - A) WATER TABLE CAN NOT BE HIGHER THAN 2' ABOVE POOL BOTTOM
  - B) FILL POOL WITH WATER BEFORE BACKFILLING
  - C) BACK FILL MATERIAL TO BE POROUS OR GRANULAR (NO CLAY OR LARGE ROCKS)
  - D) POOL TO REMAIN PERMANENTLY FILLED
  - E) DRAINAGE MUST BE SUPPLIED USING DRAIN TILE OR CRUSHED STONE TO DRAIN WATER AWAY FROM POOL IF HIGH GROUND WATER OR SURFACE WATER IS ANTICIPATED, OR IF POOL IS INSTALLED AT THE BASE OF A HILL OR IN A CLAY CONDITION
  - F) SLOPE DECK SURFACE 1/4" PER FOOT AWAY FROM POOL
  - G) PARTIAL IN GROUND INSTALLATIONS 36" OR GREATER IN GROUND, REQUIRE AN 8" DEEP CONCRETE BOND BEAM COLLAR ALONG THE BURIED PERIMETER.
- 3) WHEN PANELS ARE JOINED USING SPLINES, THE ASSEMBLY IS ELECTRICALLY BONDED. WHEN THE POOL IS FULLY ASSEMBLED THE ELECTRICAL CONTINUITY MEETS THE REQUIREMENTS OF THE US NATIONAL ELECTRIC CODE.
- 4) CONSTRUCTION METHODS AND PRECAUTIONS ARE DICTATED BY GROUND AND SOIL CONDITIONS TO BE DETERMINED BY THE CONTRACTOR, WHO IS NOT AN AGENT OR EMPLOYEE OF RADIANT POOLS OR THE MANUFACTURER OF THE POOL COMPONENTS



*Radiant As Value*  
10/23/2012



440 NORTH PEARL STREET  
ALBANY, NY 12207  
PHONE:(518) 434-4161  
FAX:(518) 432-6554

**13'-6" X 22 METRIC BLUE LAGOON**

DATE: 10/01/12	PERIMETER: 58'-6 1/2"	AREA: 236.3 sq.ft.	GALLONAGE: 6,480.4 gal.	DEALER: XXXXXX
CUSTOM FEATURES		DRAWN BY: DAVE	CHECKED BY: XXXXXX	CUSTOMER: XXXXXX
PART NO. XXXXXXXX	SCALE: XXX	FILE NAME: XXXXXX	PAGE 2	